

OIL SKIMMERS - ROS SERIES

ROS1



Single Phase Belt Skimmer

ROS3



3 Phase Belt Skimmer

ROS5



1/3 Phase Disk Skimmer

ROS2 & ROS4



Oil-Coolant Separator Bin
(Suitable for all models)

CONSTRUCTION

Support Assembly	Powder Coated
Belt	PU
Wiper	Teflon
Driver Pulley	SS410
Driven Pulley	Nylon

OPTIONS

Support Assembly	SS316/304
Belt	SS316
Driven Pulley	SS316/304
Oil Collection Separation Tray	SS316/304

APPLICATION

Types of Fluids	- Oil
	- Coolant Emulsion
	- Mild Chemicals
Liquid Temperature	- 0-50°C for PU Belt
	- 100°C for SS Belt

STANDARD ACCESSORIES

Timer - For ROS1 & ROS2

OPTIONAL

VFD for 3Phase Skimmers
(1Ph input / 3Ph output) for speed control

USED ON

All CNC machines, conventional machines, washing machines, electro plating, grinding machines etc. where floating oil is to be extracted for better life of coolant and finish of components.

Separator bin available for all models in MS Powder coated or SS316, Size: 250 x 150 x 125 ht

DIMENSIONAL DETAILS

PU / SS FLAT BELT TYPE OIL SKIMMERS				
Model	Immersion Depth	Belt Width	Motor Power Supply #	Weight in Kg.s
ROS1-40-225	225	40	1 Phase	3.7
ROS1-40-300	300	40	1 Phase	4.0
ROS1-40-500	500	40	1 Phase	4.2
ROS3-40-225	225	40	3 Phase	5.7
ROS3-40-300	300	40	3 Phase	6.0
ROS3-40-500	500	40	3 Phase	6.3

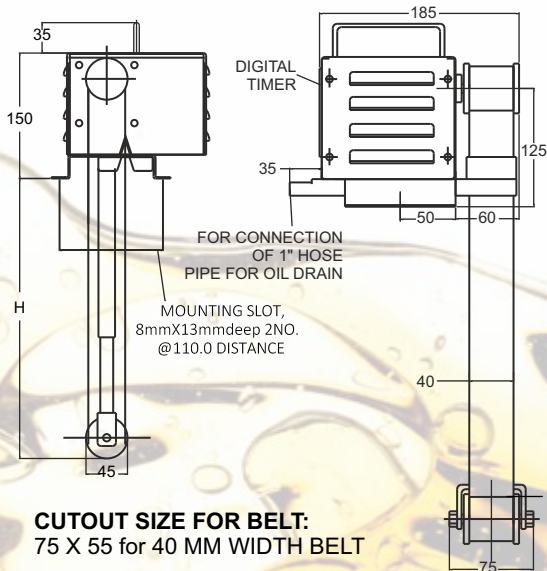
HINGED S.S BELT TYPE OIL SKIMMERS				
Model	Immersion Depth	Belt Width	Motor Power Supply #	Weight in Kg.s
ROS5-50-300	300	50	3Phase / 1Phase	6.2
ROS5-50-500	500	50	3Phase / 1Phase	6.6
ROS5-50-1000	1000	50	3Phase / 1Phase	7.2

For All Oil Skimmer Models:

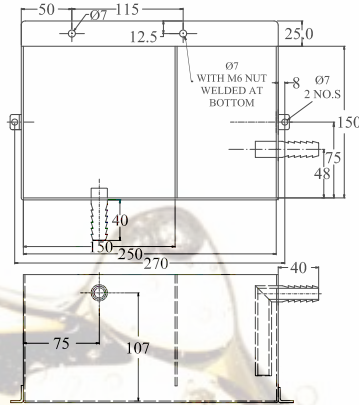
Oil Removal rate: 3 LPH Power : 0.04 kW.

#- 3 Phase means 415V/50 Hz. 1 Phase means 230V/50 Hz.

ROS1 - 40 : 1 Phase, Belt Skimmer



Separator Bin



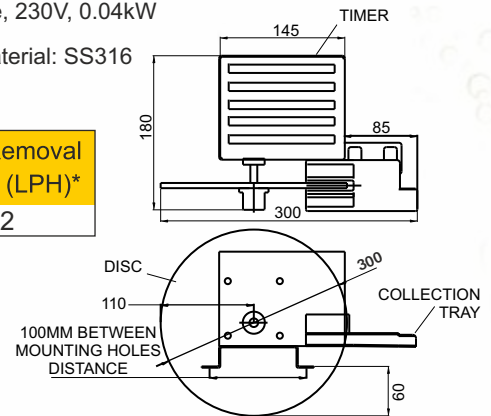
ROS2 Disc Oil Skimmer

Specification :
1 Phase, 230V, 0.04kW

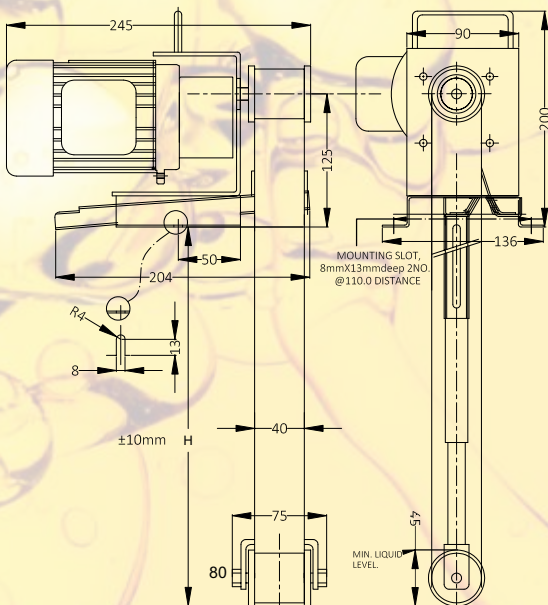
Disc Material: SS316

Oil Removal Rate (LPH)*

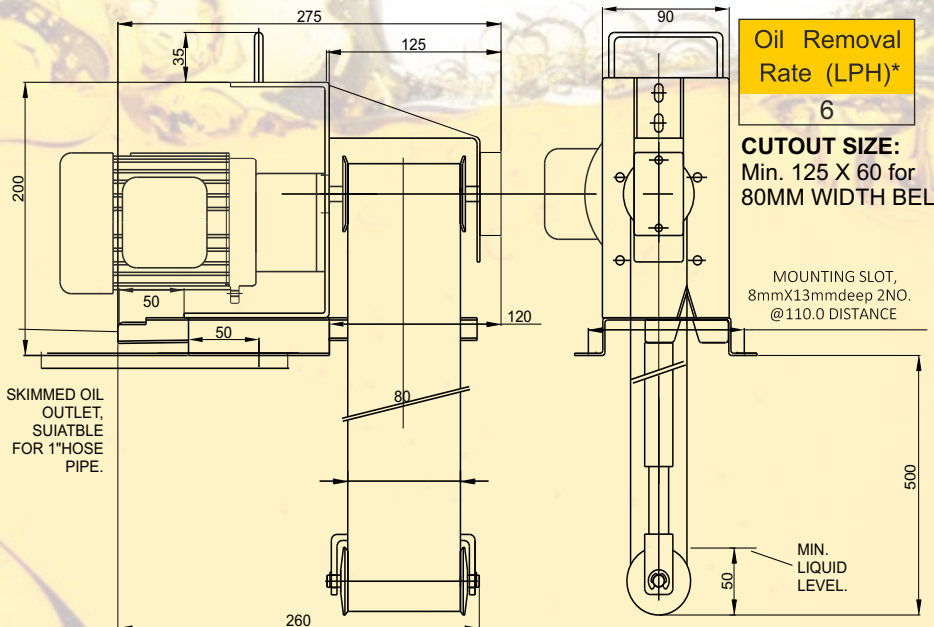
2



ROS3 - 40 : 3 Phase, Belt Skimmer



ROS 3 - 80 - 500, 3 Phase, 40w Belt Skimmer

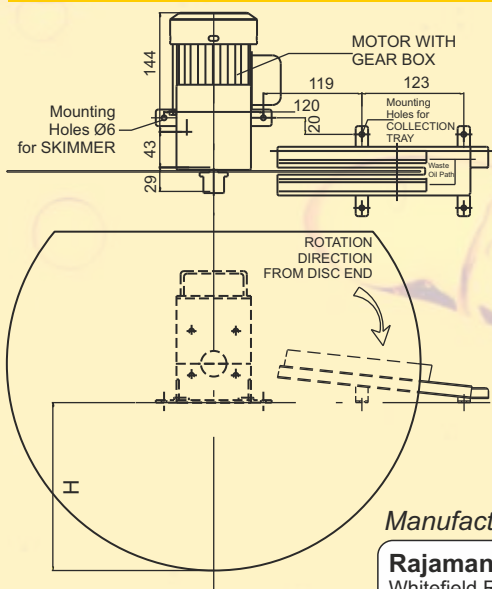


Oil Removal Rate (LPH)*

6

CUTOUT SIZE:
Min. 125 X 60 for
80MM WIDTH BELT

ROS4 Disc Oil Skimmer



Specification :
3 Phase, 415V, 0.04kW

Disc Material: SS316

DIA	HEIGHT H
Ø400	153
Ø500	203

Oil Removal Rate (LPH)*

5

Manufacturer:

Rajamane Industries Pvt Ltd.,
Whitefield Road, Mahadevapura Post, Bangalore 560 048 India
Ph: +91-80-43659000, Fax: +91-80-28524320
Email : motors@rajamane.com web: www.rajamane.com

ROS5 - 50 : 3 Phase, Belt Skimmer

